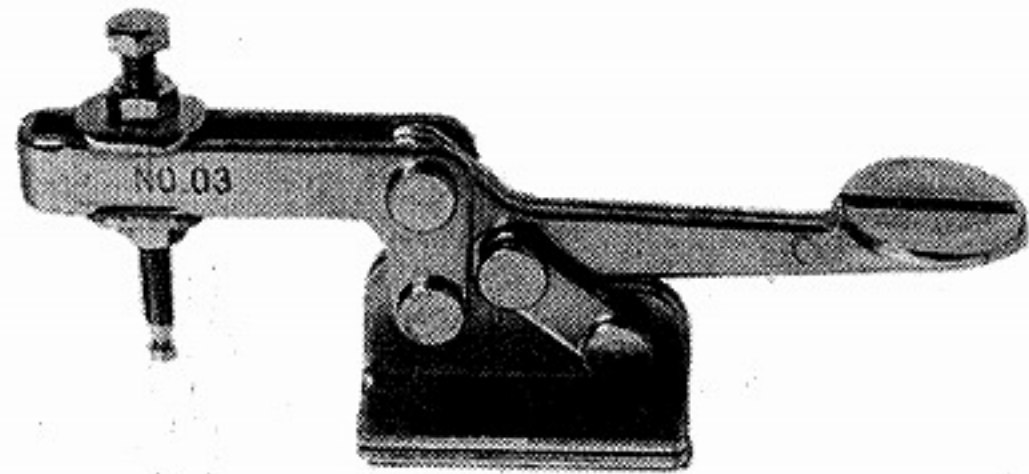


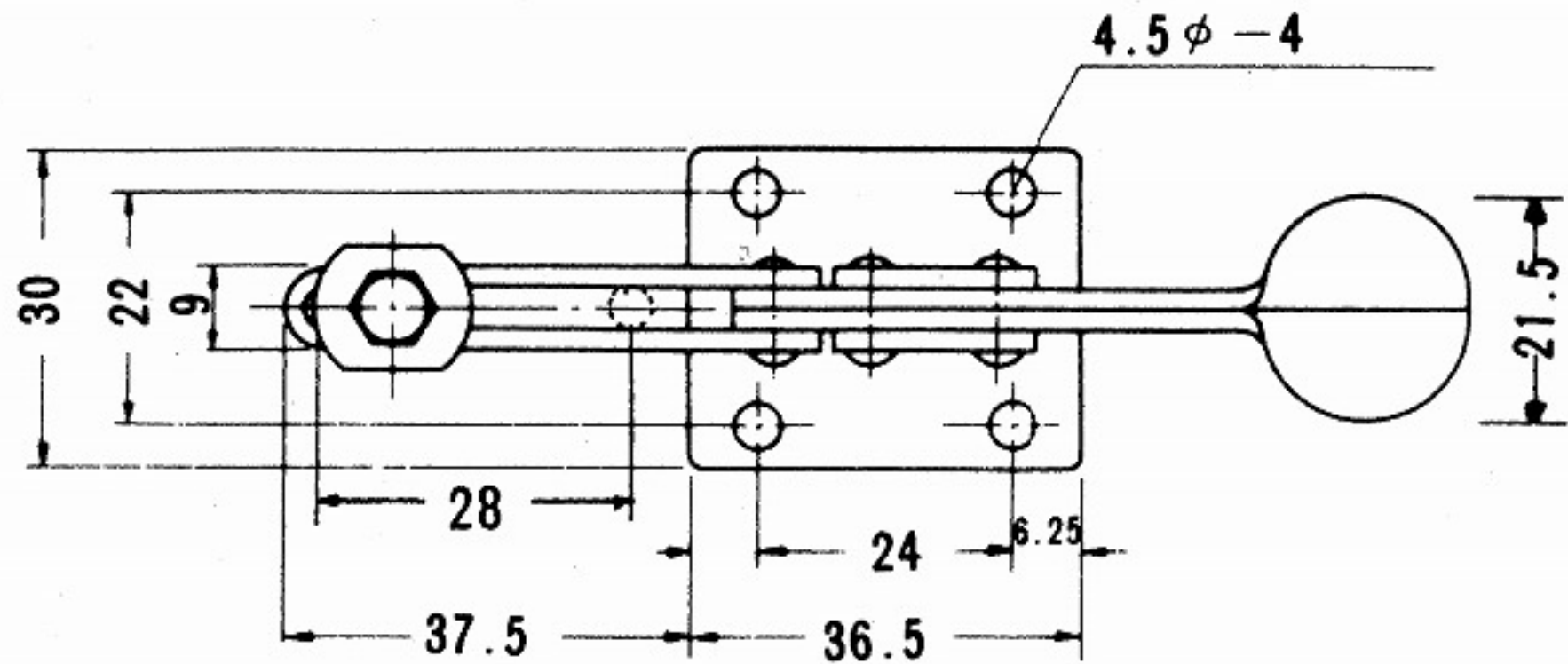
NO.03

- 質量……100g
- 締圧力……0.3kN (30kg)

HANDLE MOVES55°
BAR MOVES65°



W. 100g Holding capacity 30kg



SPINDLE M4 × 40

