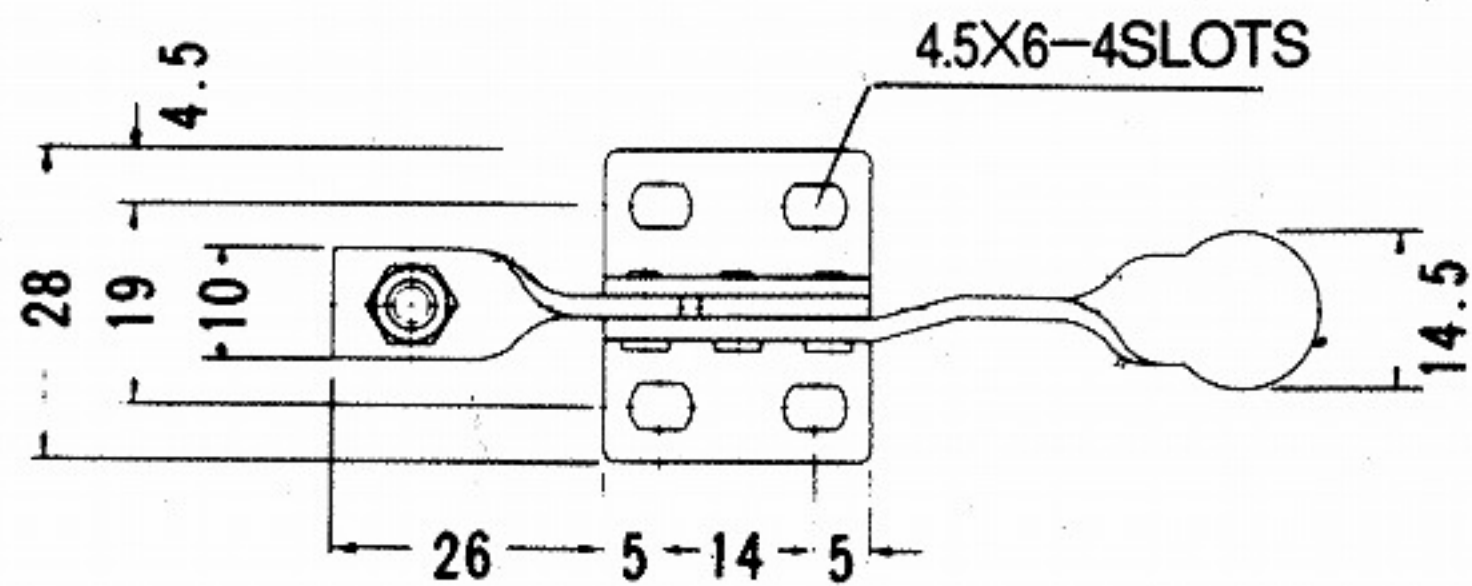
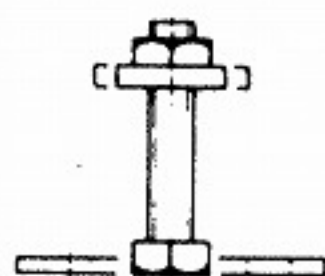
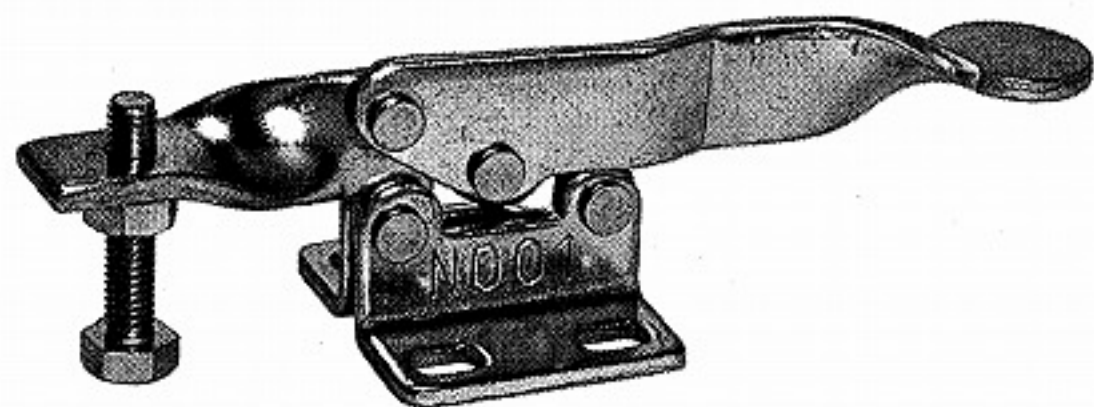


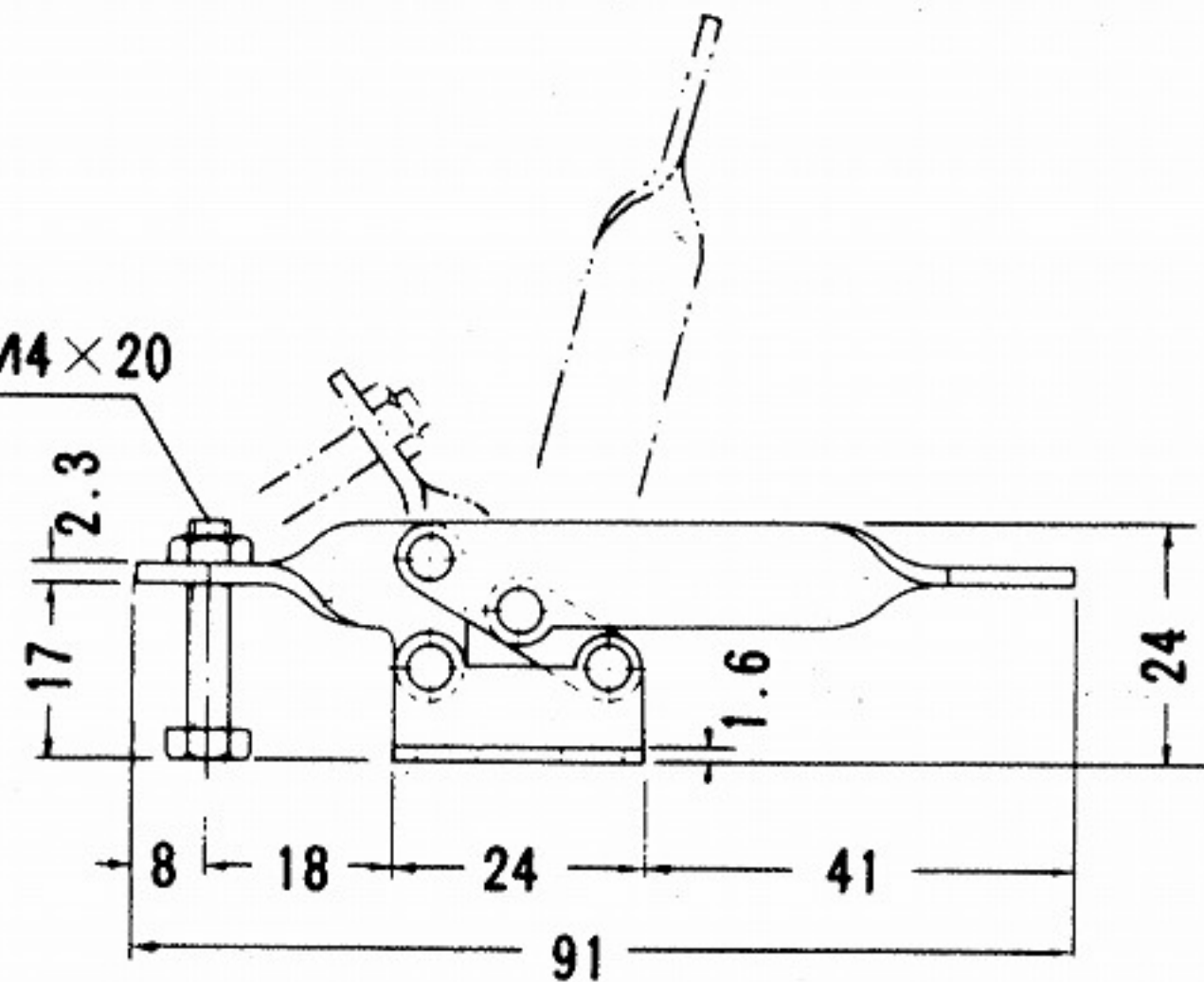
NO.01

- 質量.....30g
- 締圧力.....0.2kN (20kg)

HANDLE MOVES75°
BAR MOVES70°



SPINDLE M4×20



W. 30g Holding capacity 20k